

TECHNICAL CHARACTERISTICS

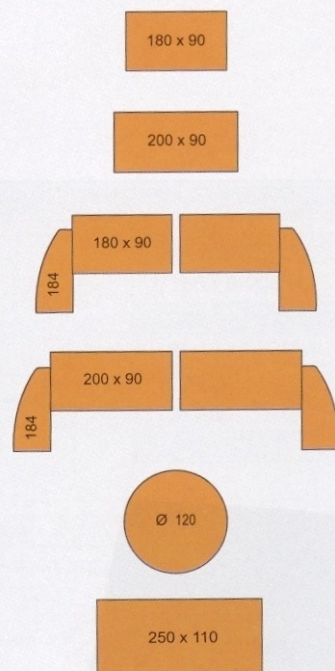
TOP FOR DESKS AND EXTENSIONS

wooden fibre panels, covered with laminate; postformed on the two long sides; thickness 29 mm; ABS edge 2 mm; colours: apple wood, maple
MDF underpanel profile laquered; thickness 31 mm; colours: anthracite, stained maple

CODE FINISHES

STRUCTURE	TOP	CODE
anthracite	apple wood	054
		
aluminium	apple wood	055
		
anthracite	maple	056
		
aluminium	maple	057
		

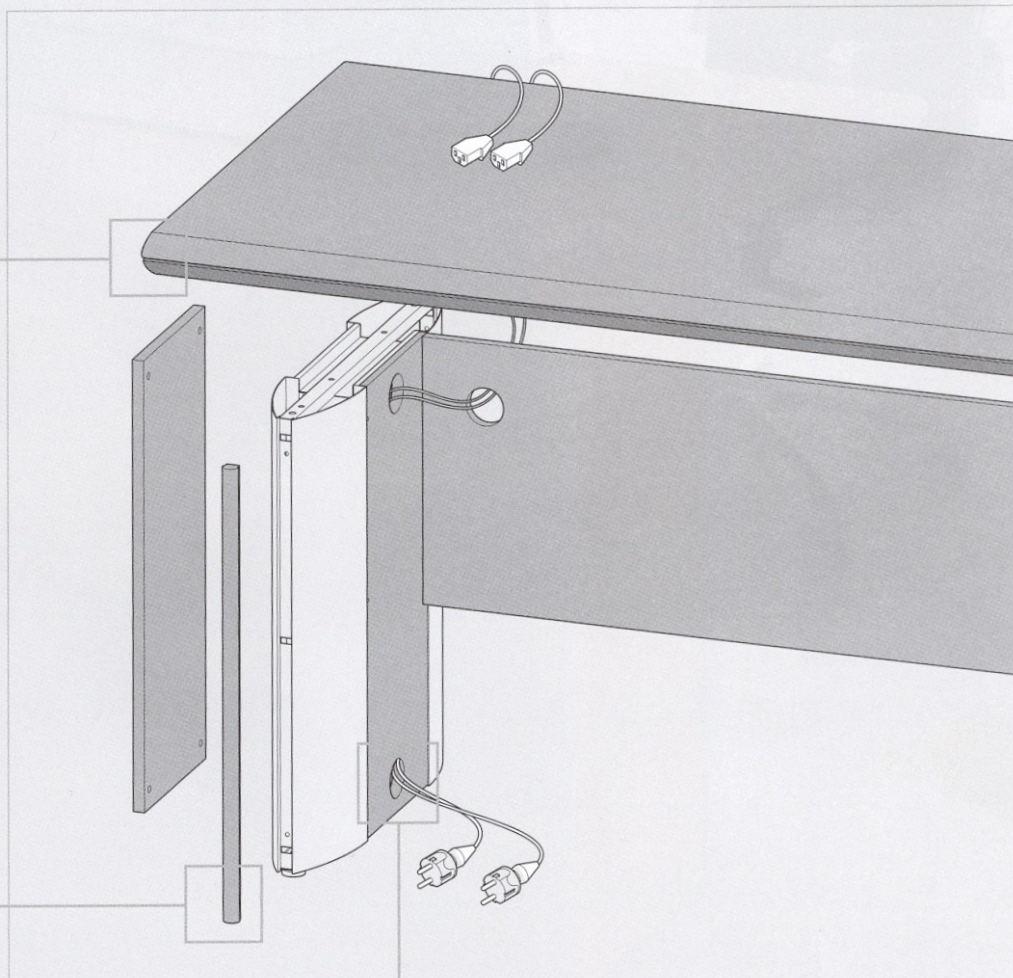
DESKS DIMENSIONS



UNDERPANEL PROFILE
in MDF laquered;
thickness 31 mm;
colours: anthracite,
stained maple

FRONTAL PROFILE
in MDF laquered;
colours: apple wood
stained maple

COVER LEG CENTRAL PANEL
in antiscratch and stainproof
melamine chipboard with internal
cable passage flap; thickness 18 mm;
colours: apple wood, maple





DESK L 180

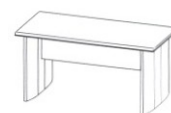


DIMENSIONS

L 180 x D 90 x H 75

CODE COLOURS

121.180.	054
121.180.	055
121.180.	056
121.180.	057



DESK L 200

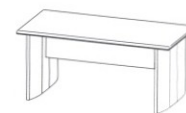


DIMENSIONS

L 200 x D 90 x H 75

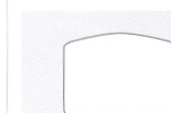
CODE COLOURS

121.200.	054
121.200.	055
121.200.	056
121.200.	057



ACCESSORIES

LEATHER DESK PAD



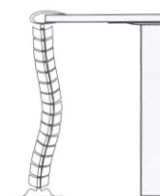
DIMENSIONS

L 80 x D 51,5 x H 0,33

CODE COLOURS

290.926.	000
----------	-----

VERTICAL CABLE PASSAGE



DIMENSIONS

L 8 x D 4 x H 72

CODE COLOURS

290.929.	050
----------	-----

DESKS WITH EXTENSION ON DRAWER UNIT

with 3 drawers		DIMENSIONS	
		L240 x D215 x H75	
	Right	CODE	COLOURS
		121.111.	054
		121.111.	055
		121.111.	056
		121.111.	057
		121.112.	054
		121.112.	055
		121.112.	056
		121.112.	057
	Left		

with 1 drawer + 1 filing drawer		DIMENSIONS	
		L240 x D215 x H75	
	Right	CODE	COLOURS
		121.113.	054
		121.113.	055
		121.113.	056
		121.113.	057
		121.114.	054
		121.114.	055
		121.114.	056
		121.114.	057
	Left		



TABLES AND DESKS

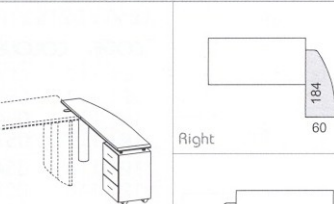
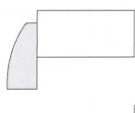
DESKS WITH EXTENSION ON DRAWER UNIT

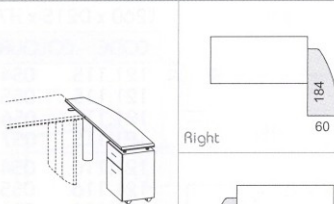
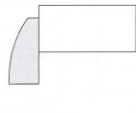
with 3 drawers		DIMENSIONS	
	<p>Right</p>	L260 x D215 x H75	
		CODE	COLOURS
	<p>Left</p>	L260 x D215 x H75	
		CODE	COLOURS
		121.115.	054
		121.115.	055
		121.115.	056
		121.115.	057
		121.116.	054
		121.116.	055
		121.116.	056
		121.116.	057

with 1 drawer + 1 filing drawer		DIMENSIONS	
	<p>Right</p>	L260 x D215 x H75	
		CODE	COLOURS
	<p>Left</p>	L260 x D215 x H75	
		CODE	COLOURS
		121.117.	054
		121.117.	055
		121.117.	056
		121.117.	057
		121.118.	054
		121.118.	055
		121.118.	056
		121.118.	057



EXTENSION ON DRAWER UNIT

with 3 drawers		DIMENSIONS	
 Right		L184 x D60 x H75	
		CODE	COLOURS
 Left		121.211.	054
		121.211.	055
		121.211.	056
		121.211.	057
		121.212.	054
		121.212.	055
		121.212.	056
		121.212.	057

with 1 drawer + 1 filing drawer		DIMENSIONS	
 Right		L184 x D60 x H75	
		CODE	COLOURS
 Left		121.213.	054
		121.213.	055
		121.213.	056
		121.213.	057
		121.214.	054
		121.214.	055
		121.214.	056
		121.214.	057



EXTENSION

DIMENSIONS	
Ø 120 x h 75	
CODE	COLOURS
121.453.	054
121.453.	055
121.453.	056
121.453.	057



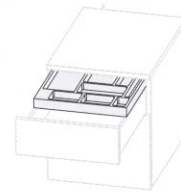
MULTIPURPOSE CABINET ON CASTORS



DIMENSIONS	
L 120 x D 54 x H 69	
CODE	COLOURS
221.228.	034
221.228.	036



KIT STATIONERY HOLDER



DIMENSIONS	
L 38 x D 49,5 x H 4,5	
CODE	COLOURS
290.925.	000



MULTIPURPOSE CABINET ON CASTORS



DIMENSIONS	
L 47,5 x D 56,4 x H 68	
CODE	COLOURS
222.611.	034
222.611.	036



DRAWER UNIT ON CASTORS 3 drawers



DIMENSIONS	
L 41,5 x D 56 x H 57	
CODE	COLOURS
221.613.	034
221.613.	036

DRAWER UNIT ON CASTORS 1+1 drawer

1 drawer + 1 filing drawer



DIMENSIONS	
L 41,5 x D 56 x H 57	
CODE	COLOURS
221.612.	034
221.612.	036